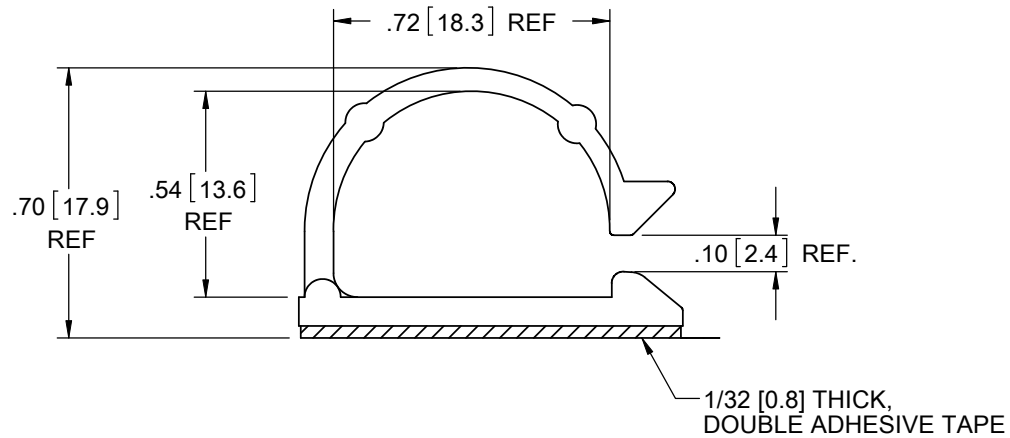
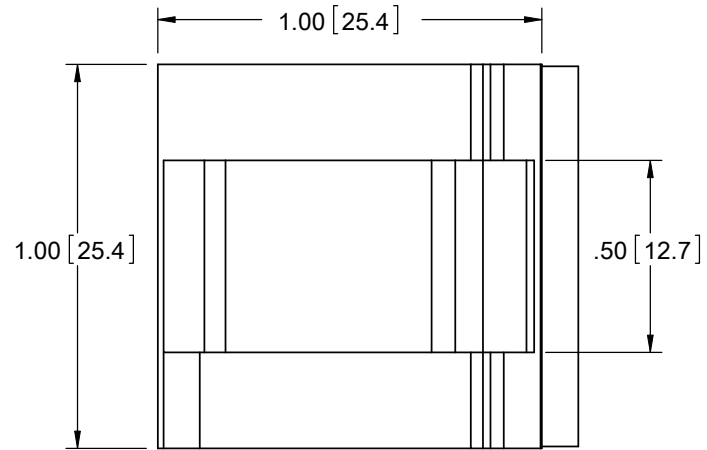


PART NO	ADHESIVE
WCK-720-01A-RT	ACRYLIC ADHESIVE TAPE (RMS-15)
WCK-720-01	WITHOUT TAPE



NOTES:

1. MATERIAL: NYLON 6/6 UL 94 V-2 (RMS-01).
NYLON 6/6 UL 94 V-0 (RMS-19), AVAILABLE BY SPECIAL ORDER ONLY
2. COLOR: NATURAL.
3. RUBBER BASED ADHESIVE FOAM TAPE (RMS-102), AVAILABLE BY SPECIAL ORDER ONLY.
TO ORDER REPLACE "-01A-RT" WITH "-01A1-RT"
4. DRAWING DOES NOT NECESSARILY DEPICT TRUE POSITION OF RELEASE TAB.

TITLE: WIRE CORD KLIP					DWG IN IN [MM]	
CREATED USING SOLIDWORKS	FILE #: WCK-720	DWN: SK	APP: RT	FINAL		
TOLERANCES UNLESS NOTED XX=±.010 .XXX=±.005 FRAC.=±1/64 ANG.=±1°	SHEET: 1 OF 1	SHEET SIZE: A	DT: 11/11/08	CHKD: DZ	PART #	PRINT TYPE
H	SEE ECN #200279 FOR CHANGES	SK	11/11/08	SEE TABLE		CA
-	SEE ENG FOR REV A-G	---	----			
REV.	DESCRIPTION	ENGR.	DATE			
		RE: RICHCO, INC.		RICHCO, INC. ENG@RICHCO-INC.COM (773) 539-4060		

H	SEE ECN #200279 FOR CHANGES	SK	11/11/08
-	SEE ENG FOR REV A-G	---	----
REV.	DESCRIPTION	ENGR.	DATE